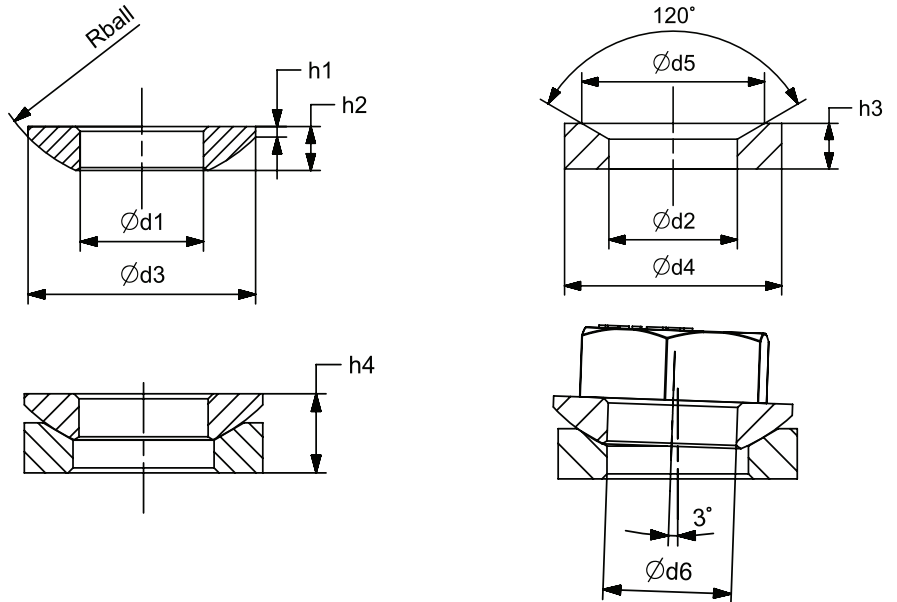
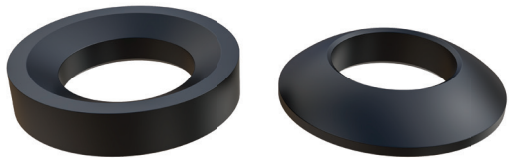


# tiespring®

USE THE BEST



## Technical Specifications

Product Code	Item Number	700309
d1 H13 Type C	Inner Diameter Conical Seat (mm)	31,00
d2 H13 Type D - Type G	Inner Diameter Spherical Washers (mm)	35,00
d3	Outer Diameter Conical Seat (mm)	56,00
d4 Type D	Outer Diameter Spherical Washers (mm)	56,00
d5		49,00
d6 Screw		M30
h1		3,60
h2	Material Thickness Conical Seat (mm)	11,20
h3 Type D	Material Thickness Spherical Washers (mm)	12,00
h4 Type D	Total Thickness (mm)	19,00
r	Ball Radius (mm)	41,00
	Transferable static bolt force kN max.	269,00

## Standart

DIN 6319

## Materials

Version C and D: case-hardened steel (hardening depth 0.2 - 0.4 mm), hardness (550 + 100) HV 10.

Stainless Steel AISI 316 A4 not hardened

Version G: hardened and tempered steel, hardness (350 + 80) HV 30.

Stainless Steel AISI 316 A4 not hardened